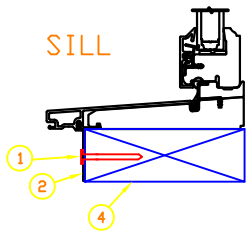
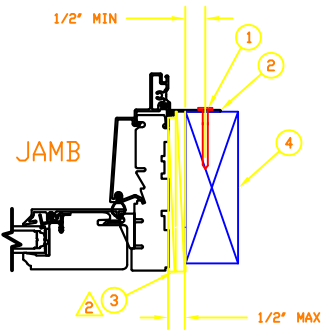
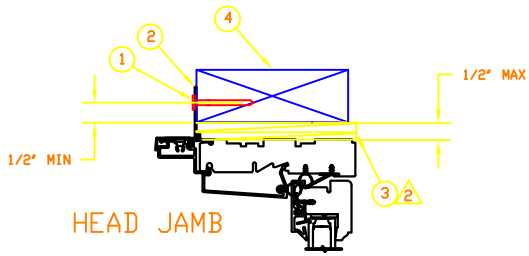
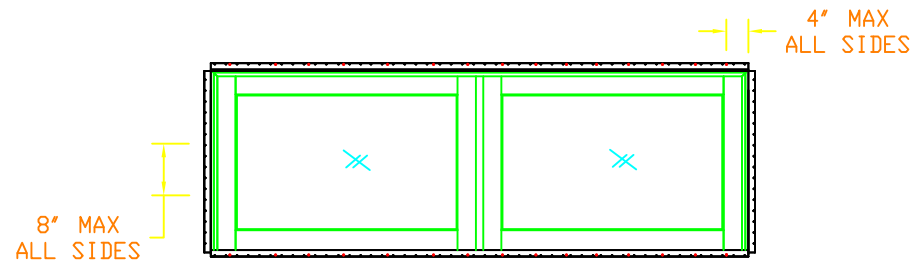


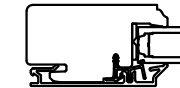
NAIL FIN INSTALLATION



UNIT	MAX PANEL WIDTH	MAX FRAME SIZE	PG
USDTR 00	94 1/4	191 X 30	+40/-40



NAIL FIN INSTALLATION METHOD:
 -UNIT MUST NOT BE IN DIRECT CONTACT WITH EITHER CONCRETE OR TREATED BUCK MATERIAL, IF SHIM SPACE IS LESS THAN 1/8" WRAPPING THE UNIT ON ALL FOUR SIDES WITH WINDOW FLASHING TAPE IS REQUIRED AS A BARRIER BETWEEN THE UNIT AND CONCRETE OR TREATED LUMBER.
 -SECURE JAMBS, HEAD JAMB AND SILL WITH 2" GALVANIZED ROOFING NAILS
 -ROOFING NAILS SHOULD BE MINIMUM OF 1/2 INCH FROM THE EDGE OF THE BUCK
 -ROOFING NAILS SHOULD 4" MAXIMUM FROM EACH EDGE AND SPACED 8" ON CENTER EVENLY



GLASS COMPLIES WITH ASTM E1300

GLAZING DETAIL

- NOTES:**
- THIS PRINT IS FOR STRUCTURAL PERFORMANCE ONLY. FOR FLASHING & SEALING REQUIREMENTS, REFER TO THE INSTALLATION INSTRUCTIONS.
 - SHIMS:
 - A SHIM MUST BE PLACED 4-6" FROM EACH CORNER.
 - ALL OTHERS MUST BE PLACED A MAX OF 15 INCHES APART.
 - IF CHEMICALLY TREATED LUMBER IS USED FOR BUCK MATERIAL, FASTENERS INTO THE BUCK MUST BE A MINIMUM OF 0.90 OZ/FT² ZINC HOT DIPPED GALVANIZED OR STAINLESS STEEL TYPE 304 OR 316.

CATEGORY:
SLIDING DOOR, SLIDING FRENCH DOOR,

UNIT TYPE:

4	-----	2X WOOD BUCK BY OTHERS
3	-----	SHIM
2	-----	NAIL FIN
1	-----	2" ROOFING NAIL
ITEM NO	REF NO	DESCRIPTION

UNSPECIFIED TOLERANCES	
DECIMALS: XX ± .03 XXX ± .012	ANGLE DEG: ± .5
LINEAL: + .125 - .000	FAB LINEAL: ± NA
MATERIAL: NA	

MARVIN		RESEARCH & DEVELOPMENT	
COLLECTION: ULTIMATE			
DWG TYPE: INSTALLATION			
DESCRIPTION: USD TRANSOM OO INSTALLATION			
CHK:	SIZE: B	CLASS: MISC	DWG NO: 00138947
APP:	SCALE: NA	DATE: 7/18/2023	DWG BY: MARVIN\TIMBENT
			SHEET: 1 OF 1

NOTICE - CONFIDENTIAL INFORMATION

The Information in this document is privileged and strictly confidential. The Information contained herein shall be used only by Marvin Windows and Doors employees and by those agents or suppliers granted official written permission. If the reader of this document is not the intended recipient, or the employee or agent of the intended recipient, please delete this document from all data storage devices, and destroy all hard copies. Any unauthorized dissemination, distribution, copying or other use of the information contained in this document is strictly prohibited.